

Aluminium profiles

Overview

PP profiles Panel profiles

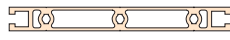
B-4



PP 50



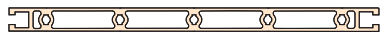
PP 100



PP 150



PP 200



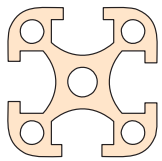
PP 250



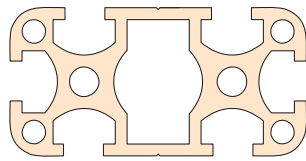
PP 50L

PU profiles Universal profiles

B-5



PU 25



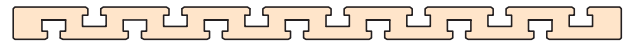
PU 50

PT profiles T-slot plates

B-6



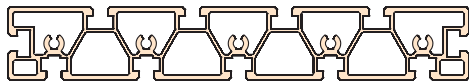
PT 25



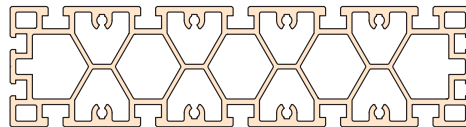
PT 50

RE profiles Right angle profiles

B-8



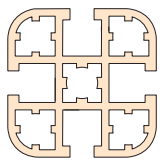
RE 40



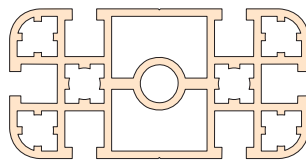
RE 65

PL profiles Light frame profiles

B-10



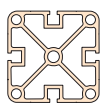
PL 40



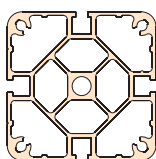
PL 80

PS profiles Stand profiles

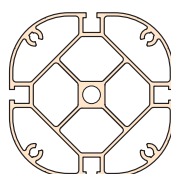
B-11



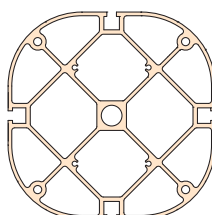
PS 50



PS 80



PS 100



PS 140

Aluminium profiles

Overview

| | | |
|----|-----------------------------|------|
| AT | Workbenches | B-13 |
| | Accessories | B-14 |
| | Profil connections | B-16 |
| | Profil snaplock connections | B-17 |

CAD data on our website www.isel.com/germany

Panel profiles

PP profiles



Features

- For fast and easy erection of frames, benches and racks
- Aluminium, naturally anodised
- Produced to DIN EN 12020-2
- Easy, very strong under load
- **Top edge particularly suitable as a load-bearing cladding, also takes very high loads**
- The drilled holes and PS profile socket head screws of our profile linkages offer extremely rigid connections, resistant to tension, distortion and bending.
- Profile cutting to order
- Extensive range of accessories (see page B-14)

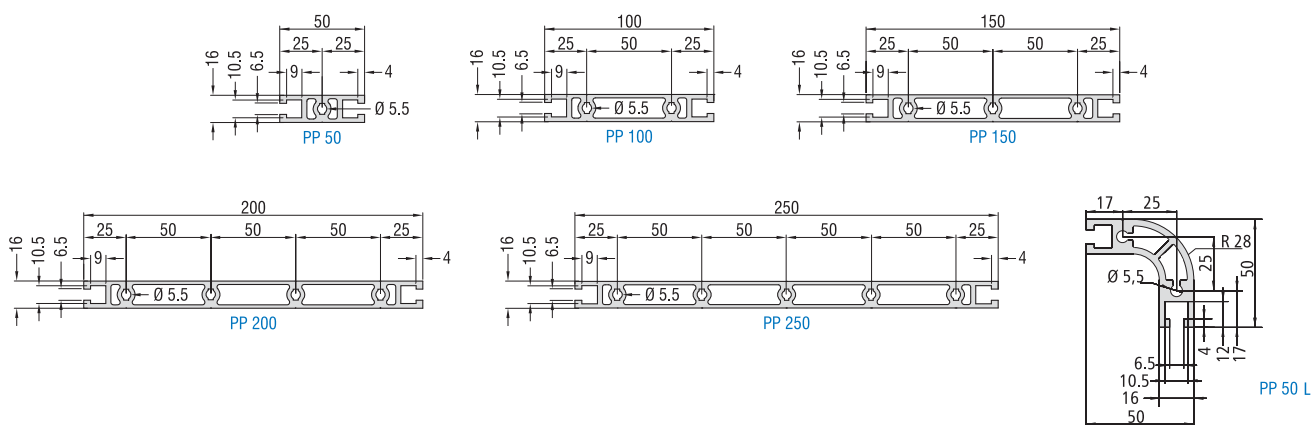
Technical specifications

| | PP 50 L | PP 50 | PP 100 | PP 150 | PP 200 | PP 250 |
|----------------------------|---|---|---|---|---|---|
| Dimensions (W × H) | 50 x 50 mm | 50 x 16 mm | 100 x 16 mm | 150 x 16 mm | 200 x 16 mm | 250 x 16 mm |
| Length | up to 3 metres (special lengths upon request) | | | | | |
| Weight | approx. 1.7 kg/m | approx. 1.1 kg/m | approx. 1.9 kg/m | approx. 2.6 kg/m | approx. 3.4 kg/m | approx. 4.1 kg/m |
| | 2 cavity inserts Ø 5.5 mm for M6 screw | 1 cavity insert Ø 5.5 mm for M6 screw | 2 cavity inserts Ø 5.5 mm for M6 screw in 50 mm raster | 3 cavity inserts Ø 5.5 mm for M6 screw in 50 mm raster | 4 cavity inserts Ø 5.5 mm for M6 screw in 50 mm raster | 5 cavity inserts Ø 5.5 mm for M6 screw in 50 mm raster |
| Moment of inertia I_x | 13.25 cm ⁴ | 8.13 cm ⁴ | 67.27 cm ⁴ | 213.92 cm ⁴ | 482.77 cm ⁴ | 908.52 cm ⁴ |
| Moment of inertia I_y | 13.25 cm ⁴ | 1.37 cm ⁴ | 2.46 cm ⁴ | 3.55 cm ⁴ | 4.64 cm ⁴ | 5.74 cm ⁴ |
| Moment of resistance W_x | 4.39 cm ³ | 3.25 cm ³ | 13.45 cm ³ | 28.52 cm ³ | 48.27 cm ³ | 72.68 cm ³ |
| Moment of resistance W_y | 4.39 cm ³ | 1.71 cm ³ | 3.08 cm ³ | 4.44 cm ³ | 5.80 cm ³ | 7.17 cm ³ |

Ordering data

| | | | | | | |
|---|--------------|--------------|--------------|--------------|--------------|--------------|
| Part-No. for L=1000 mm | 201 045 1000 | 201 040 1000 | 201 041 1000 | 201 042 1000 | 201 043 1000 | 201 009 1000 |
| Part-No. for L=3000 mm (Raw profile length L=3050...3100 mm) | 201 045 3000 | 201 040 3000 | 201 041 3000 | 201 042 3000 | 201 043 3000 | 201 009 3000 |

Dimensioned drawings



Universal profiles

PU 25 / PU 50



Features

- For the fast and simple erection of frames, benches and racks
- Aluminium, naturally anodised
- Produced in accordance with DIN EN 12020-2
- Light, compact & stable
- **For universal use**
- Suitable for very high loads
- The clamping elements and drilled holes of our clamped linkages produce very rigid connections, resistant to tension, distortion and inter-profile bending.
- Profile cutting to order
- Extensive range of accessories (see page B-14)

Option: - powder coatings
in anthracite and light grey

Technical specifications

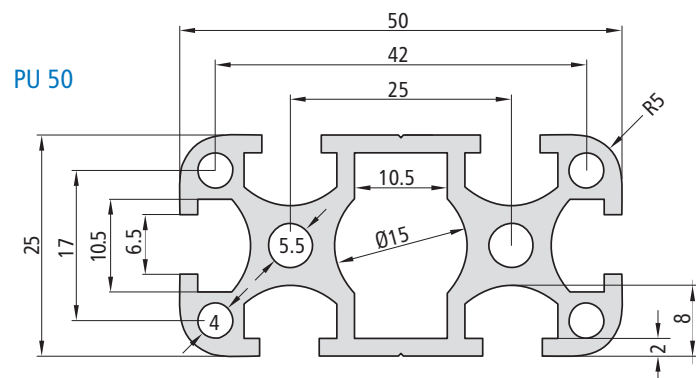
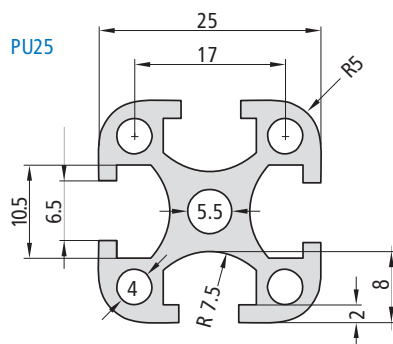
| | PU 25 | PU 50 |
|----------------------------|---|--|
| Dimensions (W × H) | 25 x 25 mm | 50 x 25 mm |
| Length | up to 3 metres (special lengths upon request) | |
| Weight | appr. 0.7 kg/m | appr. 1.3 kg/m |
| | 4 T-key inserts for M6 sliding nuts Cavity insert, Ø 5.5 mm for M6 | 4 T-key inserts for M6 sliding nuts 2 cavity inserts, Ø 5.5 mm for M6 |
| Moment of inertia I_x | 1.43 cm ⁴ | 10.99 cm ⁴ |
| Moment of inertia I_y | 1.43 cm ⁴ | 2.81 cm ⁴ |
| Moment of resistance W_x | 1.14 cm ³ | 4.40 cm ³ |
| Moment of resistance W_y | 1.14 cm ³ | 2.25 cm ³ |

Ordering data

| Description | Part-No.: L = 1000 mm Part-No.: L = 3000 mm* |
|--------------------------------|---|
| PU 25 B 25 x H 25 mm | 200 001 1000 200 001 3000* |
| PU 50 B 50 x H 25 mm | 200 002 1000 200 002 3000* |

*Raw profile length L=3050 ... 3100 mm

Dimensioned drawings



T-slot plates

PT 25



Features

- Universal precision, clamping and machining surface
- Aluminium, naturally anodised
- Produced in accordance with DIN EN 12020-2
- Milled flat on both sides
- For use with any machine
- Thick walled, distortion-free and extremely form-retaining
- Profile cutting to order
- Extensive range of accessories (see page B-14)
- Option:
 - Drainage channel for small quantities of liquid

Technical specifications

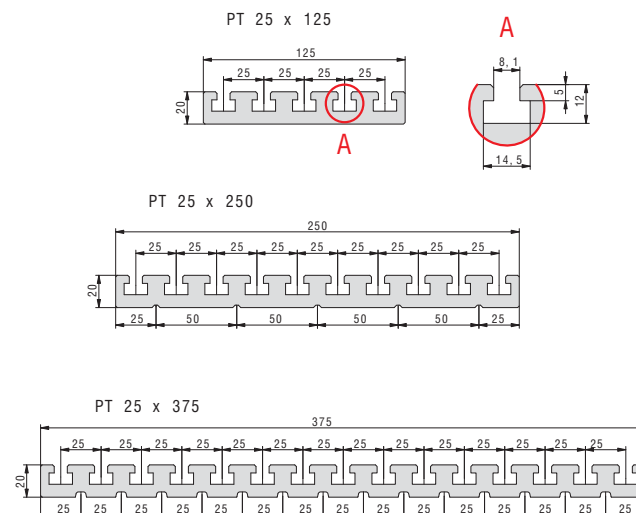
| | PT 25 | | |
|----------------------------|---|-------------------------|-------------------------|
| | 125 x 20 mm | 250 x 20 mm | 375 x 20 mm |
| Dimensions (W × H) | 125 x 20 mm | 250 x 20 mm | 375 x 20 mm |
| Length | up to 3 metres (special lengths upon request) | | |
| Weight | appr. 4.8 kg/m | appr. 9.6 kg/m | appr. 13.7 kg/m |
| T-slots | one-sided in 25 mm raster | | |
| Moment of inertia I_x | 243.36 cm ⁴ | 1848.57 cm ⁴ | 5996.01 cm ⁴ |
| Moment of inertia I_y | 6.46 cm ⁴ | 12.77 cm ⁴ | 17.90 cm ⁴ |
| Moment of resistance W_x | 38.94 cm ³ | 147.88 cm ³ | 319.79 cm ³ |
| Moment of resistance W_y | 6.46 cm ³ | 12.77 cm ³ | 17.90 cm ³ |

Ordering data

| L [mm] | PT 25 | PT 25 | PT 25 |
|--------|-----------------|-----------------|-----------------|
| | W 125 x H 20 mm | W 250 x H 20 mm | W 375 x H 20 mm |
| | Part no. | Part no. | Part no. |
| 400 | 201 014 0400 | 201 018 0400 | 201 020 0400 |
| 500 | 201 014 0500 | 201 018 0500 | 201 020 0500 |
| 600 | 201 014 0600 | 201 018 0600 | 201 020 0600 |
| 700 | 201 014 0700 | 201 018 0700 | 201 020 0700 |
| 800 | 201 014 0800 | 201 018 0800 | 201 020 0800 |
| 900 | 201 014 0900 | 201 018 0900 | 201 020 0900 |
| 1000 | 201 014 1000 | 201 018 1000 | 201 020 1000 |
| 1100 | 201 014 1100 | 201 018 1100 | 201 020 1100 |
| 1200 | 201 014 1200 | 201 018 1200 | 201 020 1200 |
| 1300 | 201 014 1300 | 201 018 1300 | 201 020 1300 |
| 1400 | 201 014 1400 | 201 018 1400 | 201 020 1400 |
| 1500 | 201 014 1500 | 201 018 1500 | 201 020 1500 |
| 1800 | 201 014 1800 | 201 018 1800 | 201 020 1800 |
| 2000 | 201 014 2000 | 201 018 2000 | 201 020 2000 |
| 2500 | 201 014 2500 | 201 018 2500 | 201 020 2500 |
| 3000* | 201 014 3000* | 201 018 3000* | 201 020 3000* |

*Raw profile length L=3050 ... 3100 mm

Maßzeichnungen



T-nuts see accessories for aluminium profiles.

T-slot plates

PT 50



Features

- Universal precision, clamping and machining surface
- Aluminium, naturally anodised
- Produced in accordance with DIN EN 12020-2
- Milled flat on both sides
- For use with any machine
- Thick walled, distortion-free and extremely form-retaining
- Profile cutting upon request
- Extensive range of accessories (see page B-14)

Technical specifications

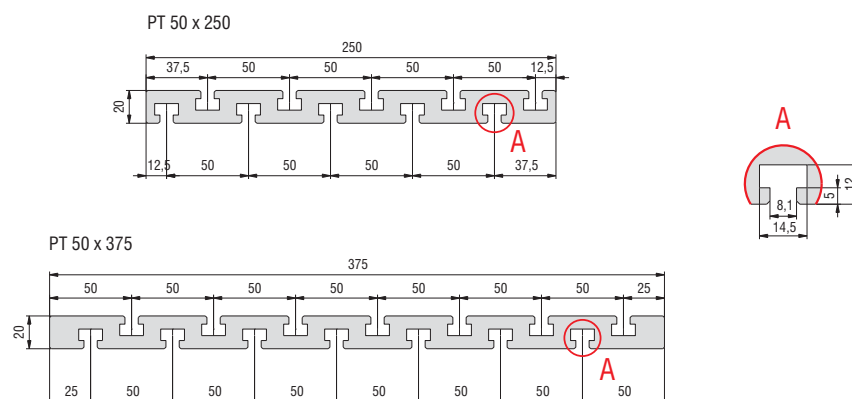
| | PT 50 | |
|----------------------------|---|-------------------------|
| | 250 x 20 mm | 375 x 20 mm |
| Dimensions (W × H) | 250 x 20 mm | 375 x 20 mm |
| Length | up to 3 metres (special lengths upon request) | |
| Weight | approx. 10.0 kg/m | approx. 14.8 kg/m |
| T-slots | both-sided in 50 mm raster | |
| Moment of inertia I_x | 2062.99 cm ⁴ | 6745.96 cm ⁴ |
| Moment of inertia I_y | 13.85 cm ⁴ | 20.63 cm ⁴ |
| Moment of resistance W_x | 165.04 cm ³ | 359.78 cm ³ |
| Moment of resistance W_y | 13.85 cm ³ | 20.63 cm ³ |

Ordering data

| L [mm] | PT 50 | PT 50 |
|--------|-----------------|-----------------|
| | W 250 x H 20 mm | W 375 x H 20 mm |
| | Part no. | Part no. |
| 400 | 201 016 0400 | 201 019 0400 |
| 500 | 201 016 0500 | 201 019 0500 |
| 600 | 201 016 0600 | 201 019 0600 |
| 700 | 201 016 0700 | 201 019 0700 |
| 800 | 201 016 0800 | 201 019 0800 |
| 900 | 201 016 0900 | 201 019 0900 |
| 1000 | 201 016 1000 | 201 019 1000 |
| 1100 | 201 016 1100 | 201 019 1100 |
| 1200 | 201 016 1200 | 201 019 1200 |
| 1300 | 201 016 1300 | 201 019 1300 |
| 1400 | 201 016 1400 | 201 019 1400 |
| 1500 | 201 016 1500 | 201 019 1500 |
| 1800 | 201 016 1800 | 201 019 1800 |
| 2000 | 201 016 2000 | 201 019 2000 |
| 2500 | 201 016 2500 | 201 019 2500 |
| 3000* | 201 016 3000* | 201 019 3000* |

*Raw profile length L=3050 ... 3100 mm

Maßzeichnungen



T-nuts see accessories for aluminium profiles.

Rectangular profiles

RE 40



Features

- Universal precision, clamping and machining surface
- As a stabiliser for machine and subframe constructions
- Aluminium, naturally anodised
- Produced in accordance with DIN EN 12020-2
- Light & very stable
- Numerous applications with the accessories are possible
- Profile cutting upon request
- Extensive range of accessories (see page B-14)

Technical specifications

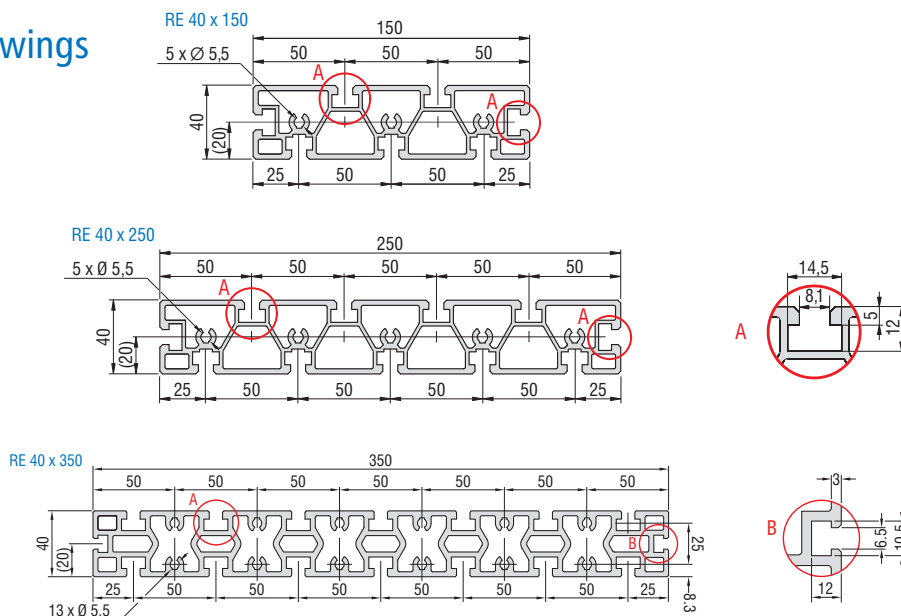
| | RE 40 | | |
|----------------------------|---|-------------------------|--------------------------|
| Dimensions (W × H) | 150 x 40 mm | 250 x 40 mm | 350 x 40 mm |
| Length | up to 3 metres (special lengths upon request) | | |
| Weight | approx. 4.8 kg/m | approx. 7.6 kg/m | approx. 13.380 g/m |
| | various cavities and T-key inserts for sliding nuts or M6 tapped strips for frontal inserts for M6 screws | | |
| Moment of inertia I_x | 393.7 cm ⁴ | 1654.53 cm ⁴ | 5,626.00 cm ⁴ |
| Moment of inertia I_y | 33.42 cm ⁴ | 54.18 cm ⁴ | 97.45 cm ⁴ |
| Moment of resistance W_x | 52.49 cm ³ | 131.64 cm ³ | 321.48 cm ³ |
| Moment of resistance W_y | 16.71 cm ³ | 27.09 cm ³ | 48.5 cm ³ |

Ordering data

| Profile description | Part no.: L = 1000 mm Part no.: L = 3000 mm* |
|--------------------------|---|
| RE 40 W 150 x H 40 mm | 201 035 1000 201 035 3000* |
| RE 40 W 250 x H 40 mm | 201 030 1000 201 030 9000* |
| RE 40 W 350 x H 40 mm | 201 031 1000 201 031 3000* |

*Raw profile length L=3050 ... 3100 mm

Dimensioned drawings



Rectangular profiles

RE 65



Features

- Universal precision, clamping and machining surface
- As a stabiliser for machine and subframe constructions
- Aluminium, naturally anodised
- Produced in accordance with DIN EN 12020-2
- Light & very stable
- Milled flat on both sides
- Numerous applications with the accessories are possible
- Profile cutting upon request
- Extensive range of accessories (see page B-14)

Technical specifications

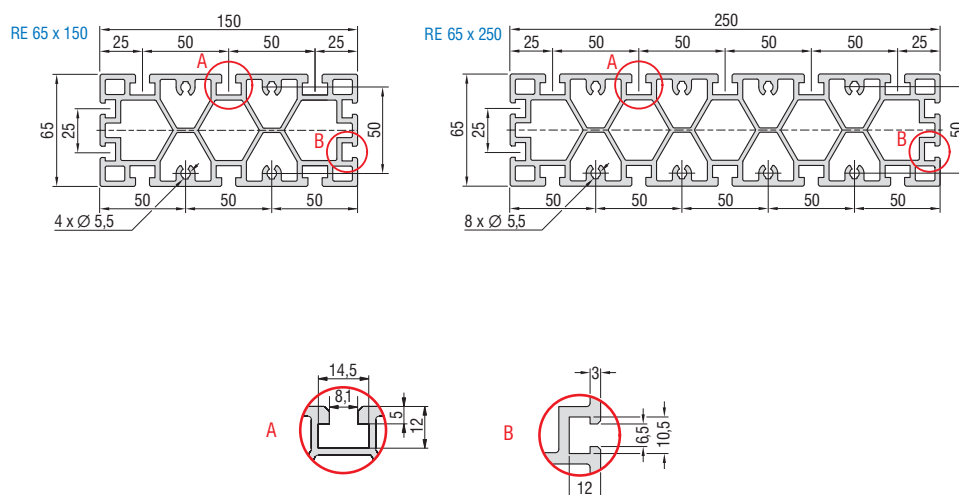
| | RE 65 | |
|----------------------------|---|--------------------------|
| Dimensions (W × H) | 150 x 65 mm | 250 x 65 mm |
| Length | up to 3 metres (special lengths to order) | |
| Weight | approx. 7.7 kg/m | approx. 12.4 kg/m |
| | various cavities and T-key inserts for sliding nuts or M6 tapped strips for frontal inserts for M6 screws | |
| Moment of inertia I_x | 633.47 cm ⁴ | 2,658.48 cm ⁴ |
| Moment of inertia I_y | 148.87 cm ⁴ | 243.85 cm ⁴ |
| Moment of resistance W_x | 84.46 cm ³ | 212.68 cm ³ |
| Moment of resistance W_y | 45.83 cm ³ | 75.03 cm ³ |

Ordering data

| Profile description | Part no.: L=1000 mm Part no.: L=3000 mm* |
|--------------------------|---|
| RE 65 W 150 x H 65 mm | 201 034 1000 201 034 3000* |
| RE 65 W 250 x H 65 mm | 201 032 1000 201 032 3000* |

*Raw profile length L=3050 ... 3100 mm

Dimensioned drawings



Light frame profiles

PL 40 / PL 80



Features

- For the fast and simple erection of frames, benches and racks
- Aluminium, naturally anodised
- Produced in accordance with DIN EN 12020-2
- Light, compact & stable
- **Suitable for very high loads**
- The clamping elements and drilled holes of our clamped linkages produce very rigid connections, resistant to tension, distortion and bending between the profiles.
- Profile cutting upon request
- Extensive range of accessories (see page B-14)

Option: - powder coatings

Technical specifications

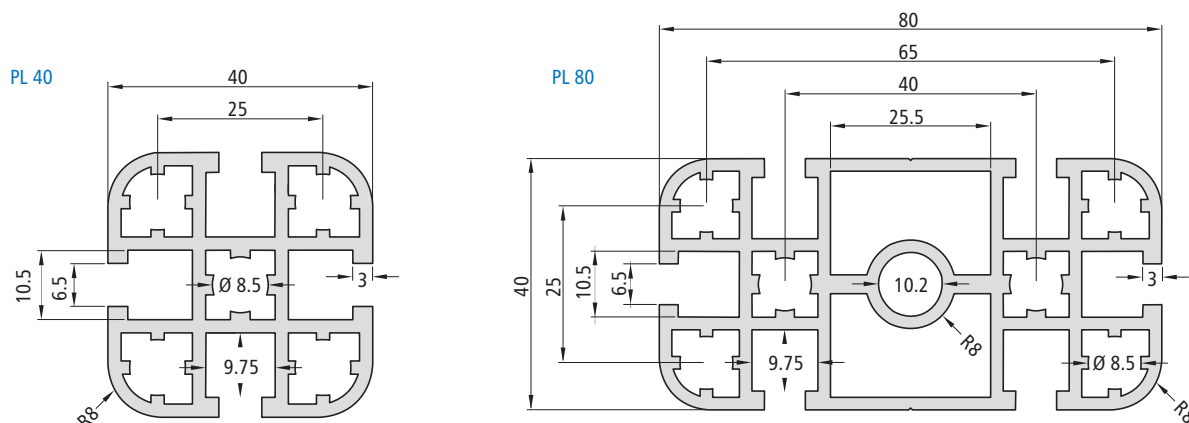
| | PL 40 | PL 80 |
|----------------------------|---|---|
| Dimensions (W × H) | 40 x 40 mm | 80 x 40 mm |
| Length | up to 3 metres (special lengths to order) | |
| Weight | approx. 1.5 kg/m | approx. 2.9 kg/m |
| | 4 T-key inserts for M6 sliding nuts 5 cavity inserts, Ø 8.5 mm for M10 | 6 T-key inserts for M6 sliding nuts 6 cavity inserts, Ø 8.5 mm for M10 Cavity insert, Ø 10.2 mm for M12 |
| Moment of inertia I_x | 8.38 cm ⁴ | 64.40 cm ⁴ |
| Moment of inertia I_y | 8.38 cm ⁴ | 16.36 cm ⁴ |
| Moment of resistance W_x | 4.19 cm ³ | 16.10 cm ³ |
| Moment of resistance W_y | 4.19 cm ³ | 8.18 cm ³ |

Ordering data

| Profile description | Part no.: L=1000 mm Part no.: L=3000 mm* |
|--------------------------------|---|
| PL 40 W 40 x H 40 mm | 200 008 1000 200 008 3000* |
| PL 80 W 80 x H 40 mm | 200 009 1000 200 009 3000* |

*Raw profile length L=3050 ... 3100 mm

Dimensioned drawings



Stand profiles

PS 50 / PS 80



Features

- For the fast and simple erection of frames, benches and racks
- Aluminium, naturally anodised
- Produced in accordance with DIN EN 12020-2
- Light, compact & stable
- **Suitable for high loads**
- Our clamped linkages produce very rigid connections, resistant to tension, distortion and bending, between profiles
- Profile cutting upon request
- Extensive range of accessories (see page B-14)

Option: - powder coatings

Technical specifications

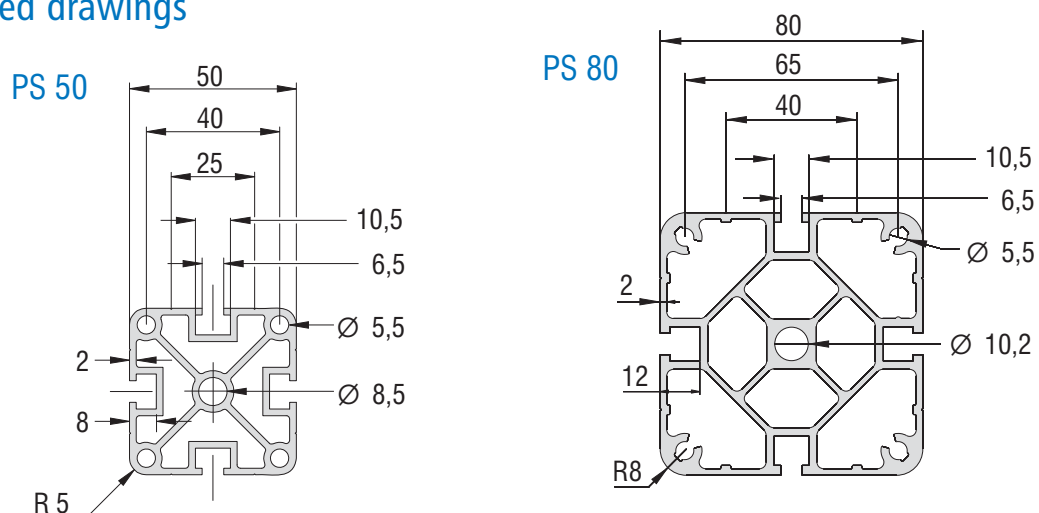
| | PS 50 | PS 80 |
|----------------------------|---|--|
| Dimensions (W × H) | 50 x 50 mm | 80 x 80 mm |
| Length | up to 3 metres (special lengths upon request) | |
| Weight | approx. 2.3 kg/m | approx. 4.5 kg/m |
| | 4 T-key inserts for M6 sliding nuts 4 cavity inserts, Ø 5.5 mm for M6 Cavity insert, Ø 8.5 mm for M10 | 4 T-key inserts for M6 sliding nuts 4 cavity inserts, Ø 5.5 mm for M6 Cavity insert, Ø 10.2 mm for M12 |
| Moment of inertia I_x | 22.06 cm ⁴ | 111.8 cm ⁴ |
| Moment of inertia I_y | 22.06 cm ⁴ | 111.8 cm ⁴ |
| Moment of resistance W_x | 8.82 cm ³ | 27.95 cm ³ |
| Moment of resistance W_y | 8.82 cm ³ | 27.95 cm ³ |

Ordering data

| Profile description | Part no.: L=1000 mm Part no.: L=3000 mm* |
|--------------------------------|---|
| PS 50 W 50 x H 50 mm | 200 003 1000 200 003 3000* |
| PS 80 W 80 x H 80 mm | 200 014 1000 200 014 3000* |

*Raw profile length L=3050 ... 3100 mm

Dimensioned drawings



Stand profiles

PS 100 / PS 140



Features

- For fast and easy erection of frames, benches and racks
- Aluminium, naturally anodised
- Produced in accordance with DIN EN 12020-2
- Light, compact & stable
- **Suitable for high loads**
- Our clamped linkages produce very rigid connections, resistant to tension, distortion and bending, between profiles
- Profile cutting upon request
- Extensive range of accessories (see page B-14)

Option: - powder coatings

Technical specifications

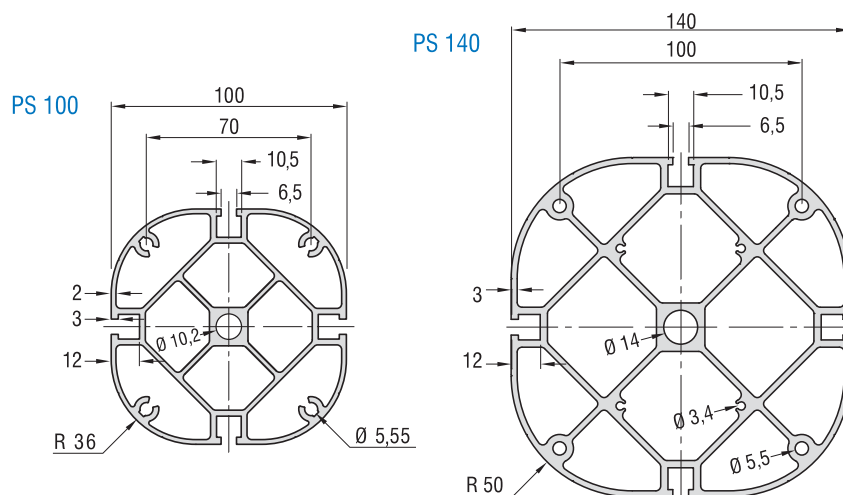
| | PS 100 | PS 140 |
|----------------------------|---|--|
| Dimensions (W × H) | 100 x 100 mm | 140 x 140 mm |
| Length | up to 3 metres (special lengths to order) | |
| Weight | appr. 5.1 kg/m | appr. 9.2 kg/m |
| | 4 T-key inserts for M6 sliding nuts 4 cavity inserts, Ø 5.55 mm for M6 Cavity insert, Ø 10.2 mm for M12 | 4 T-key inserts for M6 sliding nuts 4 cavity inserts, Ø 5.5 mm for M6 4 cavity inserts, Ø 3.4 mm for M4 Cavity insert, Ø 4 mm for M16 |
| Moment of inertia I_x | 163.00 cm ⁴ | 601.80 cm ⁴ |
| Moment of inertia I_y | 163.00 cm ⁴ | 598.11 cm ⁴ |
| Moment of resistance W_x | 32.60 cm ³ | 85.97 cm ³ |
| Moment of resistance W_y | 32.60 cm ³ | 85.44 cm ³ |

Ordering data

| Profile description | Part no.: L=1000 mm Part no.: L=3000 mm* |
|-----------------------------------|---|
| PS 100 W 100 x H 100 mm | 200 015 1000 200 015 3000* |
| PS 140 B 140 x H 140 mm | 200 016 1000 200 016 3000* |

*Raw profile length L=3050 ... 3100 mm

Maßzeichnungen



Workbenches

AT

Features

Workbenches AT for clamping devices, clamping means, for measurement, checking, testing, etc.

- Sub-frame from aluminium profiles PS series with braces made from aluminium panel profiles PP series
- Aluminium bench plate RE series of rectangular profiles 40 × 250 mm with T-slots

Options

- Length up to 2 m
- Various accessories

Accessories

Insert base for AT 1
Part no.: **248551 0010**

Insert base for AT 2
Part no.: **248551 0012**

Insert base for AT 3
Part no.: **248551 0013**

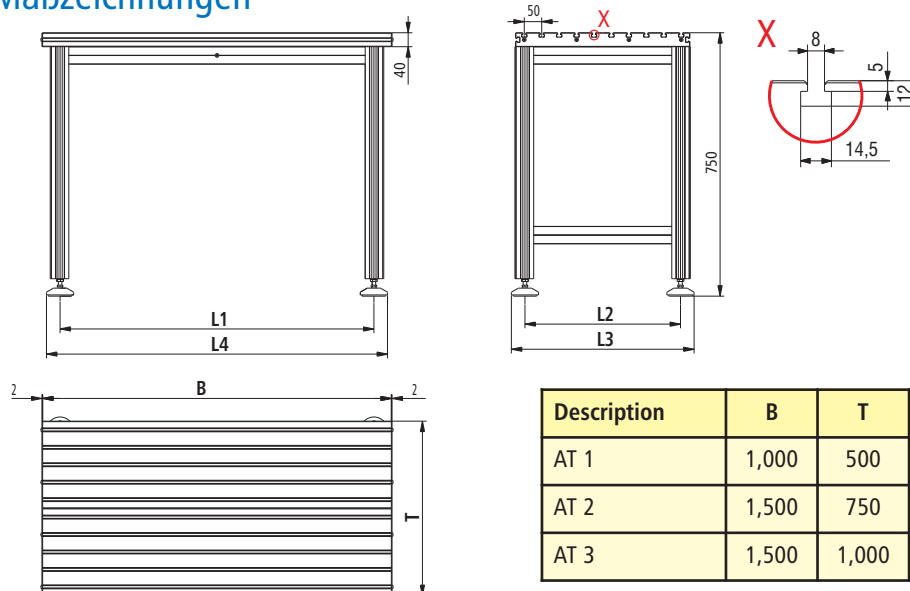


AT 2
Figure with insert base option

Ordering data

| Part no. | Description | Load: Surface load | Weight | suitable for |
|--------------|------------------------------------|--------------------|---------------|--------------|
| 248 550 0010 | AT 1, W 1,000 x D 500 x H 750 mm | 200 kg | approx. 30 kg | |
| 248 550 0012 | AT 2, W 1,500 x D 750 x H 750 mm | 400 kg | approx. 60 kg | |
| 248 550 0013 | AT 3, W 1,500 x D 1,000 x H 750 mm | 400 kg | approx. 75 kg | ICP/ICV 4030 |

Maßzeichnungen



| Description | B | T | L 1 | L 2 | L 3 | L 4 |
|-------------|-------|-------|-------|-----|-------|-------|
| AT 1 | 1,000 | 500 | 900 | 446 | 526 | 980 |
| AT 2 | 1,500 | 750 | 1,380 | 660 | 780 | 1,500 |
| AT 3 | 1,500 | 1,000 | 1,380 | 910 | 1,030 | 1,500 |

Accessories

Tapped rails



M6 tapped rail

- 13 x 6 mm
- Galvanised
- M6 Ra 50 mm
- VE 3 units at 1 m
- For PT/RE 40, 65

Part no.: 209010

M6 tapped rail

- 10 x 4 mm
- Galvanised
- M6 Ra 50 mm
- VE 3 units at 1 m
- For all except PT/RE 40, 65/SP

Part no.: 209011

Sliding nuts



M6 sliding nut (Figure 1)

- L25 x W10 x H3.5
- Galvanised
- VE 100 units
- All except PT/RE 40, 65

Part no.: 209001 0005

M6 sliding nut (Figure 1)

- L 25 x W 13 x H 5
- Galvanised
- VE 50 units
- For PT/RE 40, 65

Part no.: 209004 0001

2 x M6 sliding nuts (Figure 2)

- L45 x W10 x H3.5
- Galvanised
- VE 50 units
- For all except PT/RE 40, 65

Part no.: 209002 0004

2 x M6 sliding nuts (Figure 2)

- L 45 x W 13 x H 6
- Galvanised
- 2xM6 Ra 25mm
- VE 25 units
- For PT/RE 40, 65

Part no.: 209005 0001

M5 sliding nut

- L25 x W10 x H3.5
- Galvanised
- VE 20 units
- For all except PT/RE 40, 65

Part no.: 209006 0001

Angle sliding nut

2 x M6 (Figure 3)

- Galvanised
- VE 25 units
- For all except PT/RE 40, 65

Part no.: 209021 0003

Special angle sliding nut

3 x M6 (Figure 4)

- Galvanised
- VE 25 units
- For all except PT/RE 40, 65

Part no.: 209022 0003

Sliding nuts



M5/M6 sliding nuts

- Galvanised
- VE 20 units
- for PT25, PT 50, PS 200, RE 40 and RE 65 (securing only possible at the top) with spring

Part no.: 209005 0002 (M5/Figure 1)

Part no.: 209005 0003 (M6/Figure 2) with large chamfer

Part no.: 209005 0004 (M6/Figure 3) in rhombus shape

Part no.: 209005 0005 (M5/Figure 4)

Part no.: 209005 0006 (M6/Figure 5)

Tension rods



Tension rods SE

- With M6 setting screw
- VE 2 units
- For RE/PT

Part no.: 290051

Clamping devices



Hand lever clamping device SH 1

- for RE/PT

Part no.: 290001

Hand lever clamping device SH 2

- For RE/PT

Part no.: 290002

Stop rails



Stop rail (galvanised)

- W 20 x H 10
- Ra 50
- VE 2 units + fixing material

L 125 mm

Part no.: 290021 0125

L 175 mm

Part no.: 290021 0175

L 225 mm

Part no.: 290021 0225

T-keys



M6 T-keyways

- DIN 508
- Hardened
- VE 20 units
- For PT/RE 40, 65

Part no.: 209119 0003

Edging strip



Black edging strip 1-part

- For plate thicknesses 3 - 4 mm
- VE 10 m

Part no.: 209202 0002 (PU profiles)

Part no.: 209202 0001

(PP-/RE- and PS profiles)

PP 50 cross-braces



PP 50 cross-braces

- L 490 mm
- Mitred
- M6 drillings
- for all except PT/RE 40, 65

Part no.: 209300 0000

Hinge strip



Plastic hinge strip

- L 65 x W 40
- VE 10 units + fixing
- Ra 43 x 20 mm
- For PL

Part no.: 209050 0012

Aluminium hinge strip

- L 40 x W 40 mm
- VE 10 units + fixing
- Ra 25 x 25 mm
- For all except PT/RE 40, 65

Part no.: 209050 0011

Accessories

Profile connection cubes

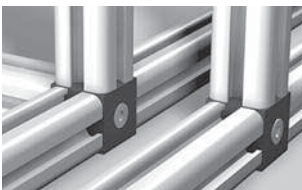


Profile connection cubes black

- VE 10 units + fixing material
- For PU 25

2 x Part no.: **209104 0002**

Part no.: Part no.: **209103 0002**

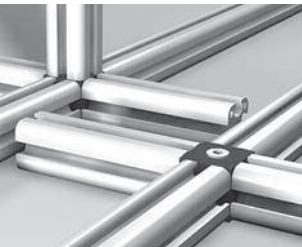


Profile connection cubes, black

- VE 10 units + fixing material
- For PU 25

Part no.: Part no.: **209106 0002**

Part no.: Part no.: **209107 0002**



Profile connection cubes black

- VE 10 units + fixing material
- For PU 25

Four-fold Part no.: **209108 0002**

Five-fold Part no.: **209109 0002**

T-slot cover



T-slot cover

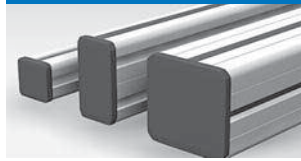
- VE 30 m
- (turquoise = similar to RAL 5018)
- For all except PT/RE 40, 65

black Part no.: **209201 0004**

turquoise Part no.: **209201 0003**

light grey Part no.: **209201 0007**

Profile covers



Profile covers, black

- PU 25 - 25 units
Part no.: **209105 0003**

- PU 50 - 25 units
Part no.: **209126 0003**

- PL 40 - 20 units
Part no.: **209127 0003**

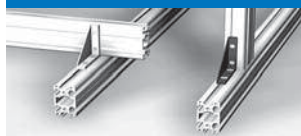
- PL 80 - 20 units
Part no.: **209128 0003**

- PS 50 - 25 units
Part no.: **209129 0003**

- PS 80 - 20 units
Part no.: **209130 0003**

- PS 140 - 10 units
Part no.: **209130 1001**

Aluminium corner connector



Aluminium corner connector

- L 25 × W 25 × H 15 mm
- VE 10 units + fixing material
- For PL, PS, PU, PP

natural
Part no.: **209114 0101**

black
Part no.: **209114 0111**

- L 40 × W 40 × H 22 mm
- VE 10 units + fixing material
- For PP/PL/PS/PU

natural
Part no.: **209115 0101**

black
Part no.: **209115 0111**

- L 50 × W 50 × H 15
- VE 10 units + fixing material
- For RE/PU/PS

natural
Part no.: **209116 0101**

black
Part no.: **209116 0111**

- L 80 × W 80 × H 22
- VE 10 units + fixing material
- For PP/PL/PS/PU

natural
Part no.: **209117 0101**

black
Part no.: **209117 0111**

Plastic equipment bases



Plastic equipment bases with rubber plate

- VE 4 units + setting screws
- Black

For PL 40/PS 50

- Ø 60
- M10 × 50 setting screws
- Part no.: **209032 0003**

for PL 80 / PS 80

- Ø 80
- M12 × 50 setting screws
- Part no.: **209034 0001**

for PL 80 / PS 80

- Ø 120
- Setting screws M12 × 50
- Black

Part no.: **209033 0003**

Guide rollers

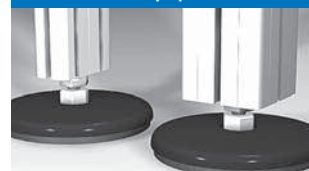


Rubber-tired guide rollers Ø 75 (M10)

- VE 4 units
- 2 with and 2 without locking device
- for PL 40/PS 50

Part no.: **209043 0011**

Aluminium equipment bases



Aluminium equipment bases with rubber plate

for PU 50

- VE 4 units, with setting screws
and reducing bushings
- Ø 50
- M6 × 30 setting screws
- Natural

Part no.: **209030 0000**

for PS 100/140

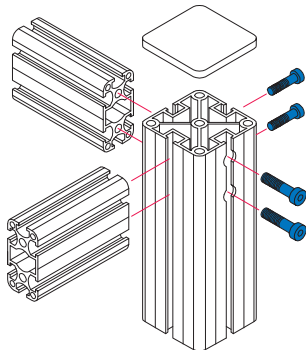
- Ø 170
- M16 × 100 setting screws
- Black

Part no.: **209035 0001**

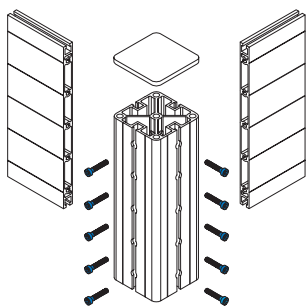
Profile connections

Examples:

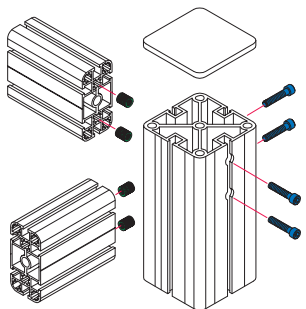
PS 50 with PU 50



PS 50 with PP 250



PS 80 with PL 80



Allen screws

Allen screws
M6 × 25 mm

- VE 10 units
Part no.: **209147 0009**
- VE 50 units
Part no.: **209147 0010**

Allen screws
M6 x 50 mm

- VE 10 units
Part no.: **209147 0003**
- VE 50 units
Part no.: **209147 0004**

Allen key
SW 5

- DIN 911
• VE 1 unit
Part no.: **931152**

Tapped bushings

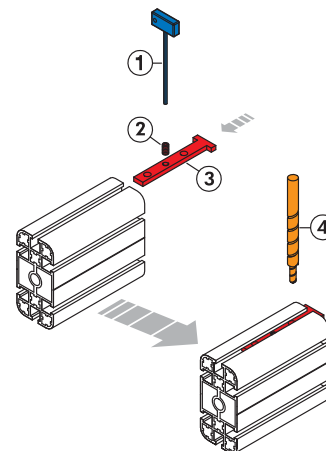
Tapped bushings
M9/M6

- VE 10 units
Part no.: **209147 0001**
- VE 50 units
Part no.: **209147 0002**

Tapped bushings
M10/M6

- VE 10 units
Part no.: **209147 0124**
- VE 50 units
Part no.: **209147 0125**

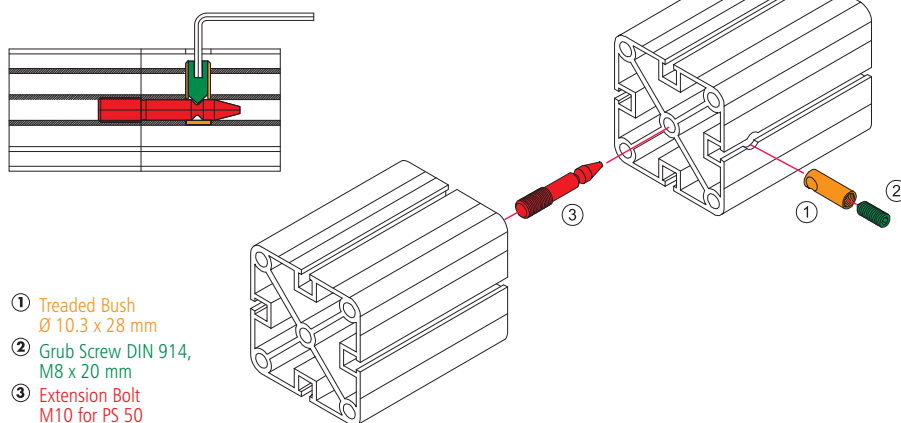
Example PL 80



- ① Hexagon-Socket Screwdriver
- ② Grub Screw
- ③ Drilling Template
- ④ Twist Drill
Ø 6 mm / Ø 10.4 mm

Example:

Profile snaplock extension for PS 50



- ① Treaded Bush
Ø 10.3 x 28 mm
- ② Grub Screw DIN 914,
M8 x 20 mm
- ③ Extension Bolt
M10 for PS 50

for PS 50/PL 40 (M10)

- Locking bush, tapped pin, extension bolts
- 10 sets
Part no.: **209147 0120**
- 50 sets
Part no.: **209147 0121**

for PS 80/PL 80 (M12)

- Locking bush, tapped pin, extension bolts
- 10 sets
Part no.: **209147 0122**
- 50 sets
Part no.: **209147 0123**

matching drill pattern 2

Part no.: **290015 0002**

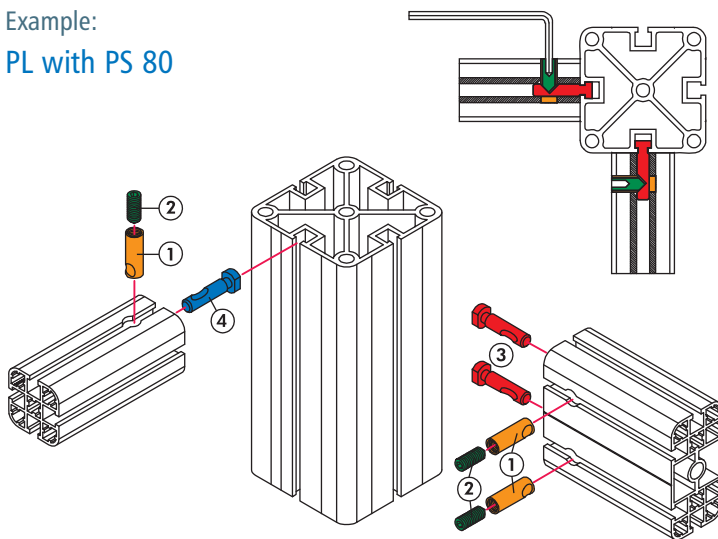
Stepped drill

- Ø 6/Ø 10.4 mm
Part no.: **400090**

Profile snaplock connections

Example:

PL with PS 80



- ① Treaded Bush \varnothing 10.3 x 28 mm
- ② Grub Screw DIN 914, M6 x 20 mm
- ③ Connection Bolt 0° for PL 40 and PL 80
- ④ Connection Bolt 90° for PL 40 and PL 80

Snaplock connection

for PL

- Locking bush, tapped pin and bolts 0°
- 10 sets:
Part no.: **209147 0102**
- 50 sets:
Part no.: **209147 0103**

for PL

- Locking bush, tapped pin and bolts 90°
- 10 sets:
Part no.: **209147 0112**
- 50 sets:
Part no.: **209147 0113**

for PP/PU

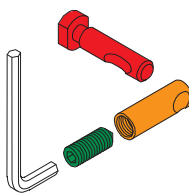
- Locking bush, tapped pin and bolts 0°
- 10 sets:
Part no.: **209147 0100**
- 50 sets:
Part no.: **209147 0101**

for PP/PU

- Locking bush, tapped pin and bolts 90°
- 10 sets:
Part no.: **209147 0110**
- 50 sets:
Part no.: **209147 0111**

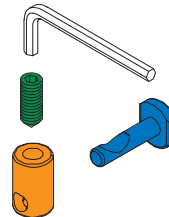
Snaplock
connection
0 degrees

e.g. for
PL / PS 80



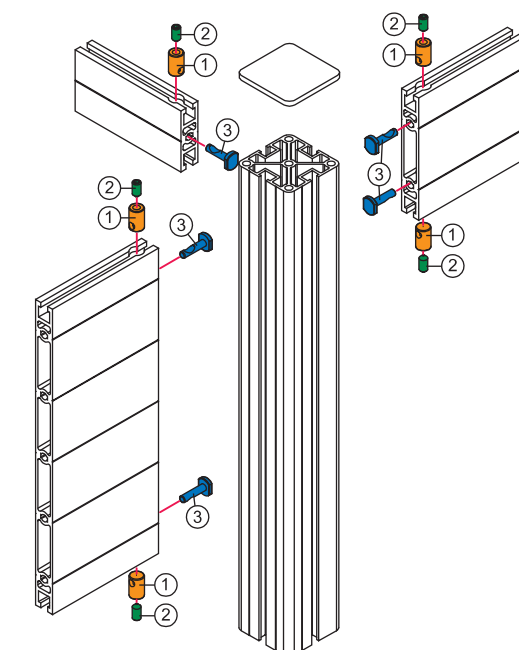
Snaplock
connection
90 degrees

e.g. for
PP / PU / PS



Example:

PP with PS 50



- ① Treaded Bush \varnothing 10.3 x 16,5 mm
- ② Grub Screw DIN 914, M6 x 12 mm
- ③ Connection Bolt 90°

Stepped drill

- \varnothing 6 mm/ \varnothing 10.4 mm
- Part no.: **400090**

matching drill pattern 2

Part no.: **290015 0002**

Allen key

SW 3

- DIN 911
- Part no.: **931150**